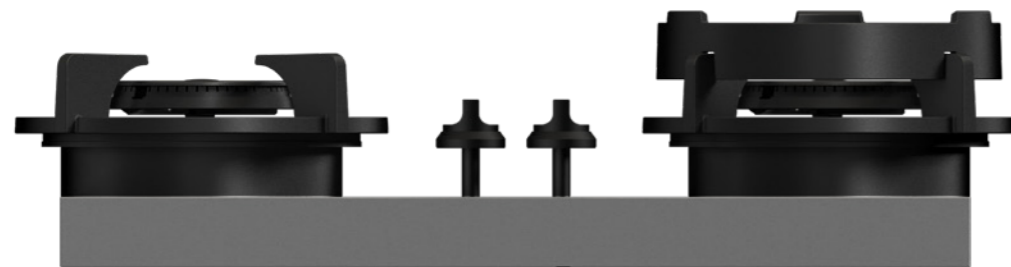
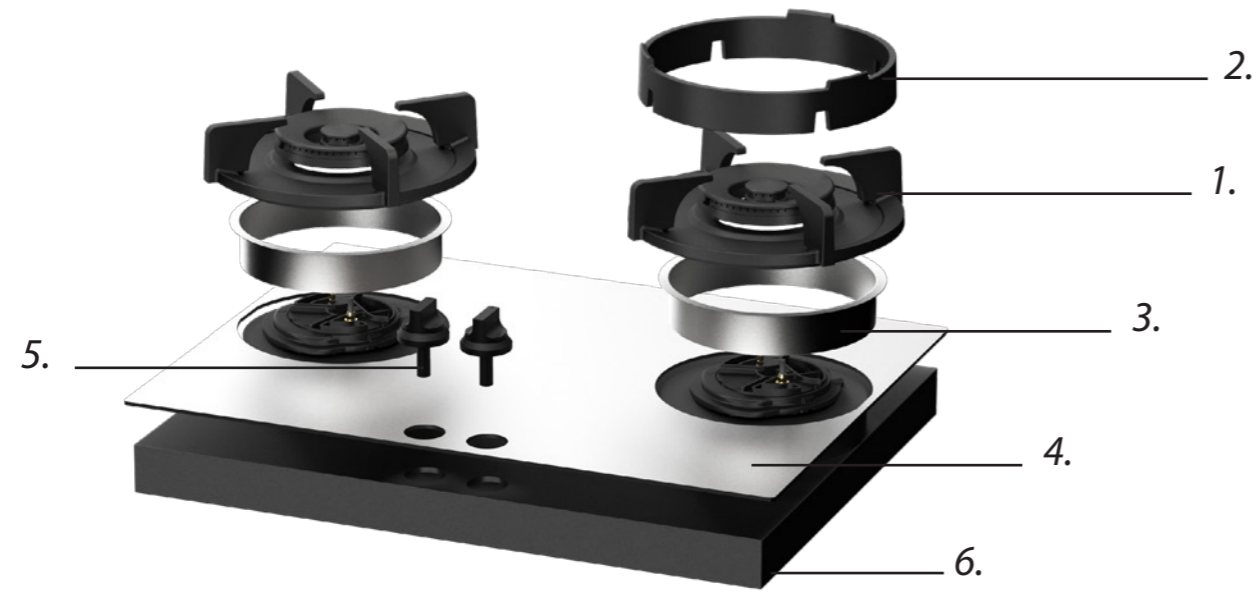


*Made in Holland*

**PITT**  
COOKING



**Gas**  
*Bromo*  
*Top Side*



1. **Wok-/simmer burner**  
ENAMELED CAST IRON

2. **Wok ring**  
ENAMELED CAST IRON

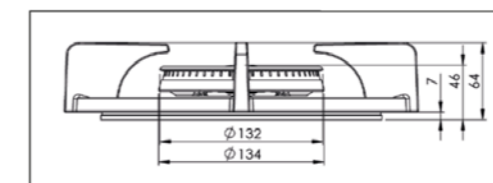
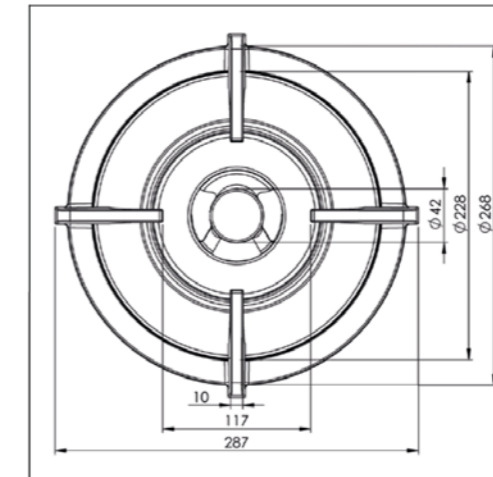
3. **Flange**  
STEEL

4. **Heat conductor**  
ALUMINIUM

5. **Control knob**  
ANODISED ALUMINIUM

6. **Cassette unit**  
GALVANIZED STEEL

Wok-/simmer burner



WOK-/SIMMER BURNER

MIN. POWER

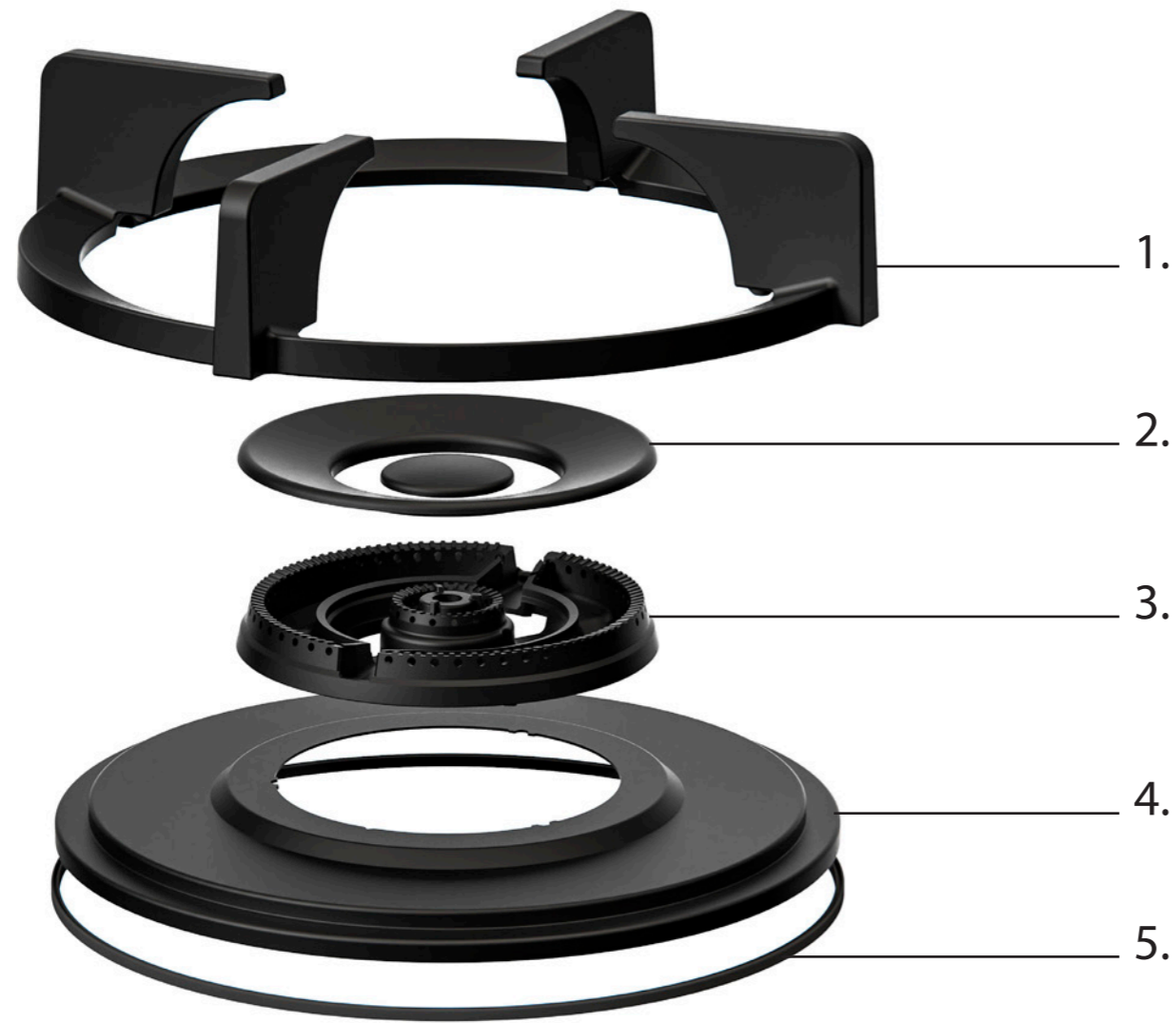
**0,2 kW**

MAX. POWER

**5 kW**

DIAM. POWER

**Ø 270 mm**



1. **Pan support**  
ENAMELED CAST IRON

2. **Burner caps**  
ENAMELED CAST IRON

3. **Flame spreader**  
(COATED BRASS)

4. **Heat shield**  
ENAMELED STEEL

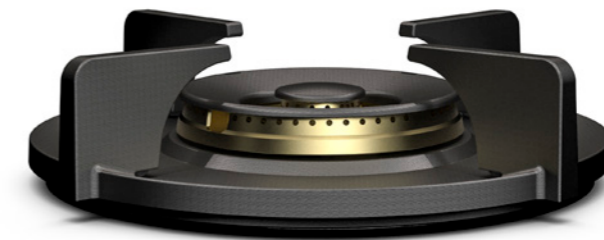
5. **Silicone ring**  
SILICONE

**Black edition**  
HEAVY BRASS BURNERS.  
BLACK BURNERS WITH A BLACK SURFACE.  
STYLISH AND REFINED.



WOK-/SIMMER BURNER

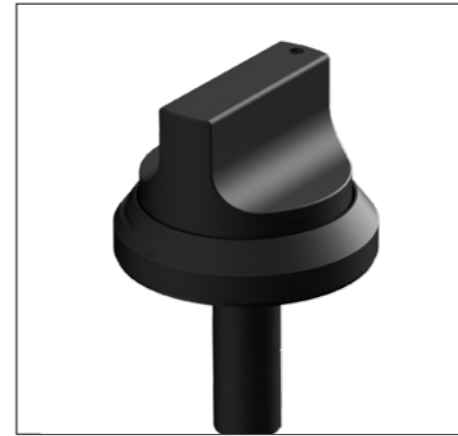
**Professional edition**  
HEAVY BRASS BURNERS.  
FOR THOSE WHO WANT TO COOK IN STYLE



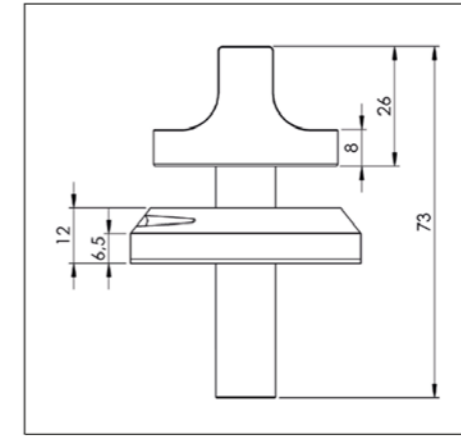
WOK-/SIMMER BURNER

## Control knob Top Side

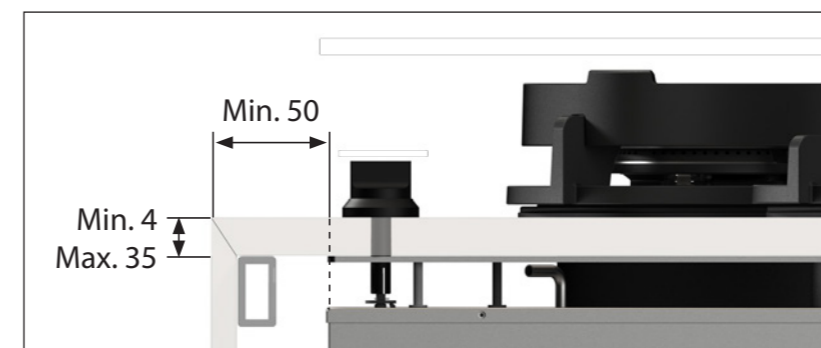
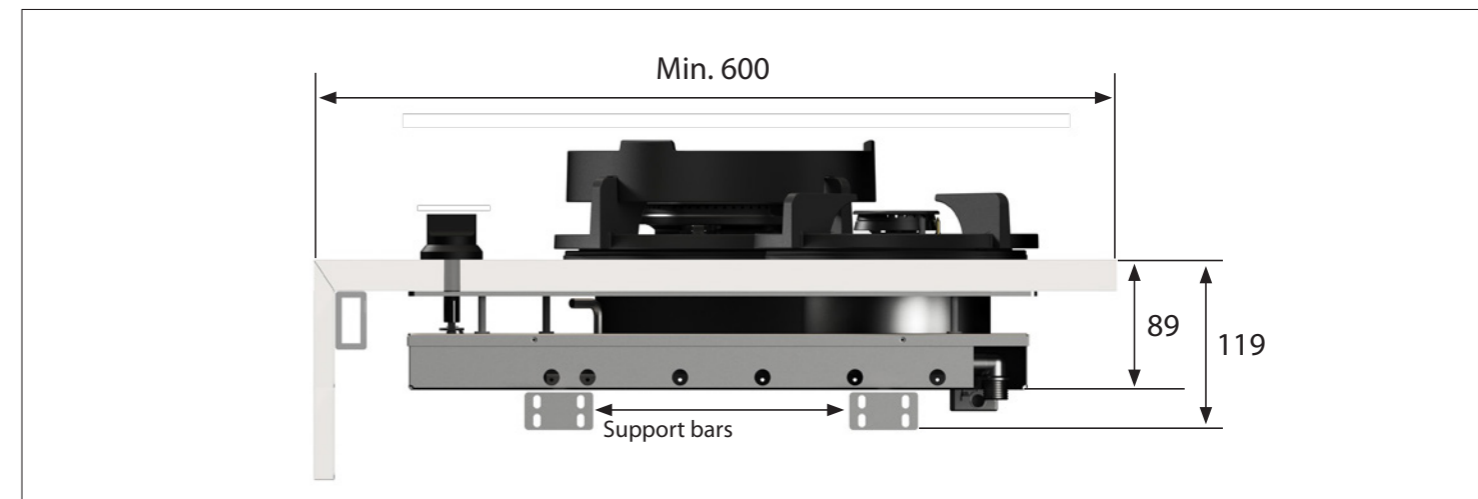
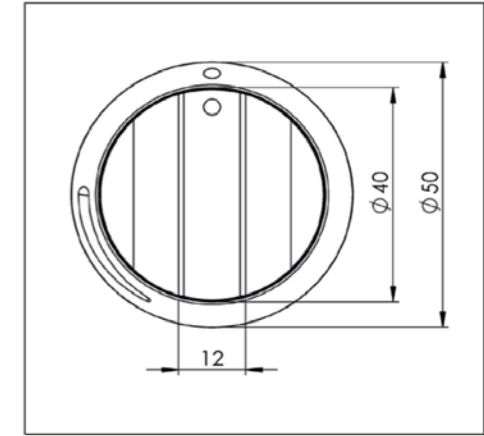
3D-image Top Side knob



Front view Top Side knob

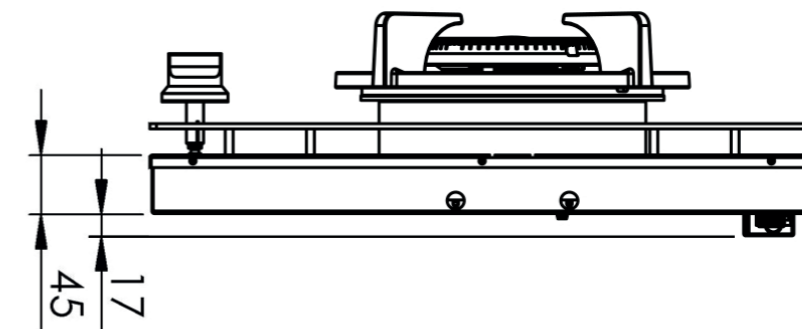
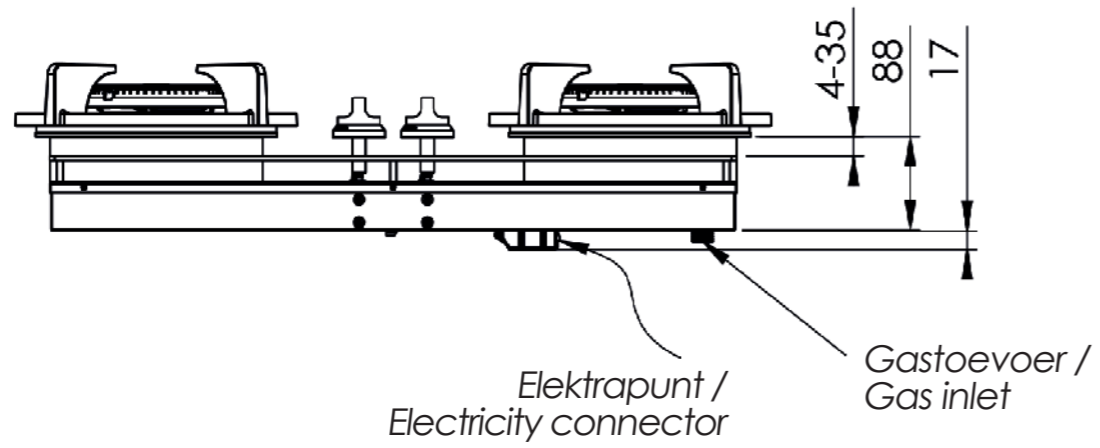
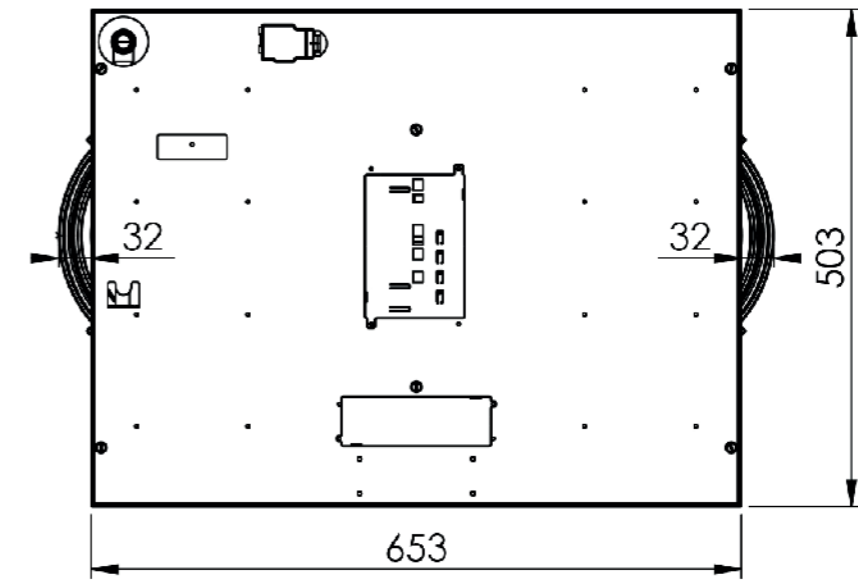
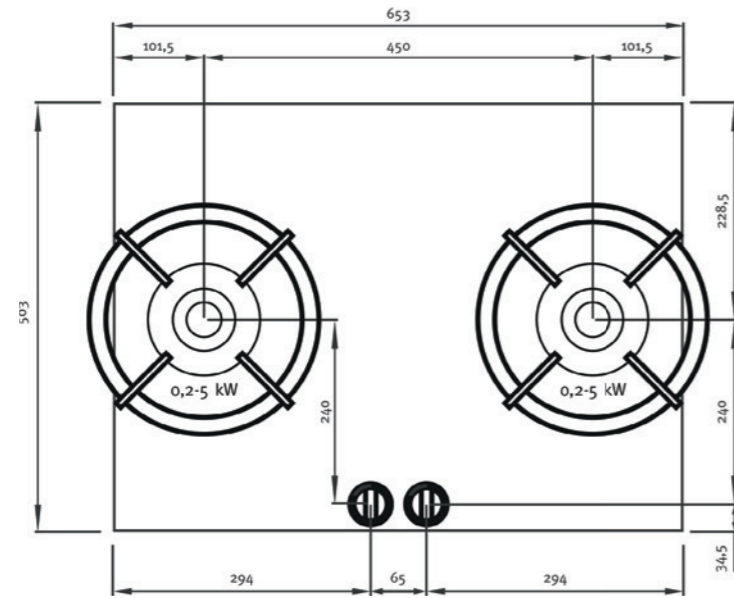


Top view Top Side knob

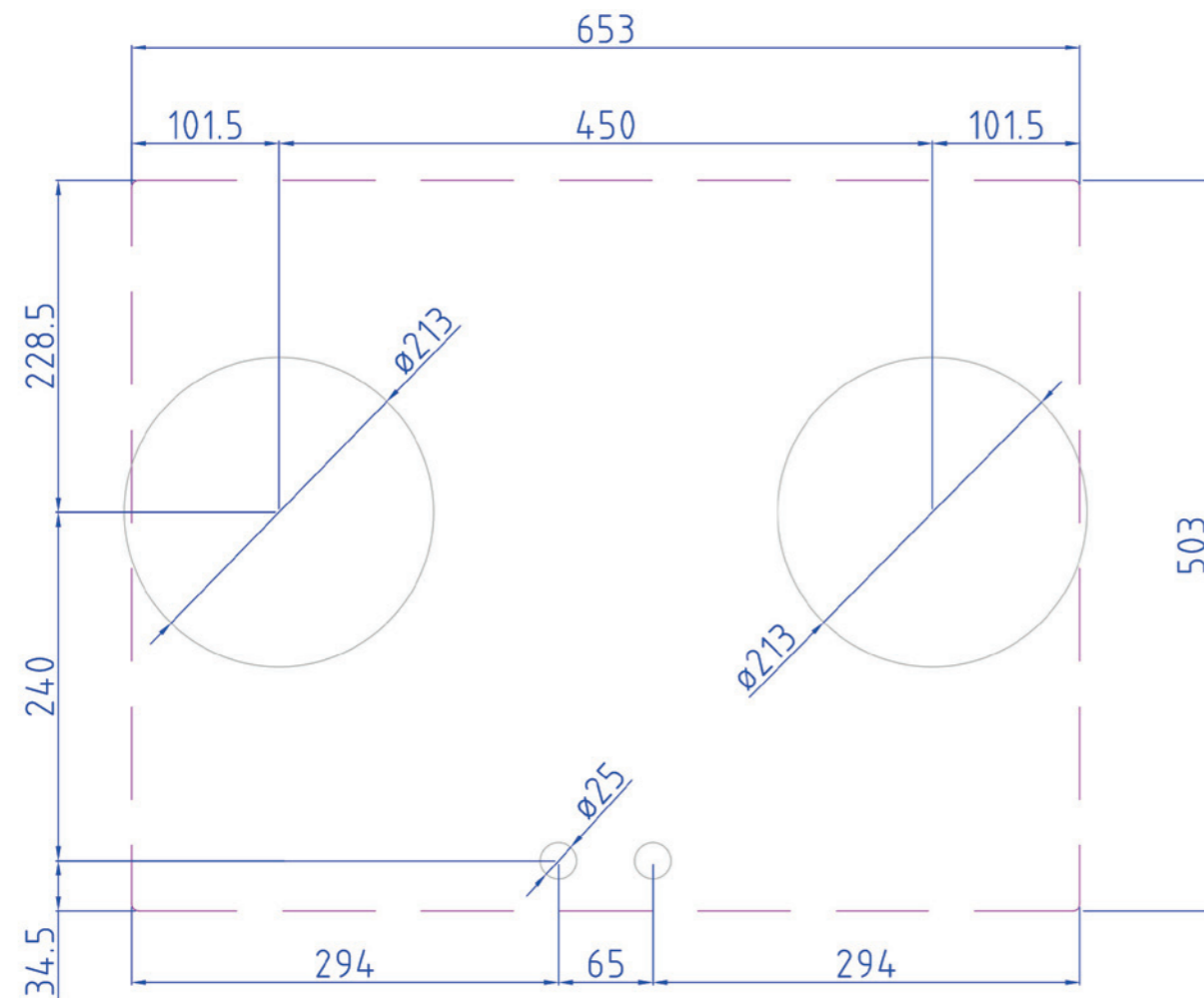


### **Important**

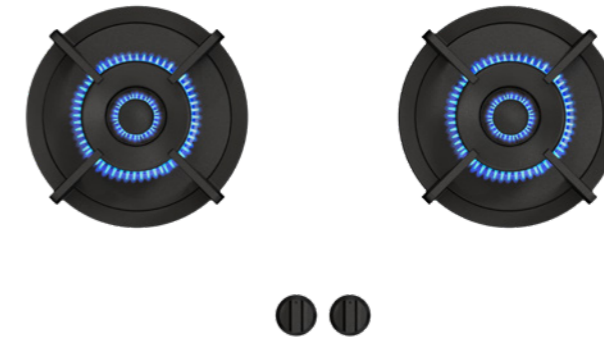
- Minimal countertop depth: 600 mm
- Total height PITT unit incl. support bar set: 119 mm
- Countertop thickness: 4-35 mm
- The C-size is a **minimal** size



## Hole pattern



## Technical specifications



Model	Bromo Top Side
Type of burners	2x wok-/simmer burners (0,2 - 5 kW)
Editions	Professional (brass) Black (full black)
The controls	Top Side
Module dimensions (LxWxH)	653 x 503 x 89 mm
Automatic spark ignition	✓
Flame protection	✓
Weight	22,5 kg
Wok ring	✓

### Gas & Electricity

Type of gas suitable	Natural gas, LPG (Bottled gas)
Type of gas connection	½" external threads
Position gas connection	Top corner, right
Voltage	220V-110V (default) / 1,5V (battery)
Cord length	1500 mm / 591/16"



Installation and handling instructions gas



Installation manual Top Side gas



User manual gas